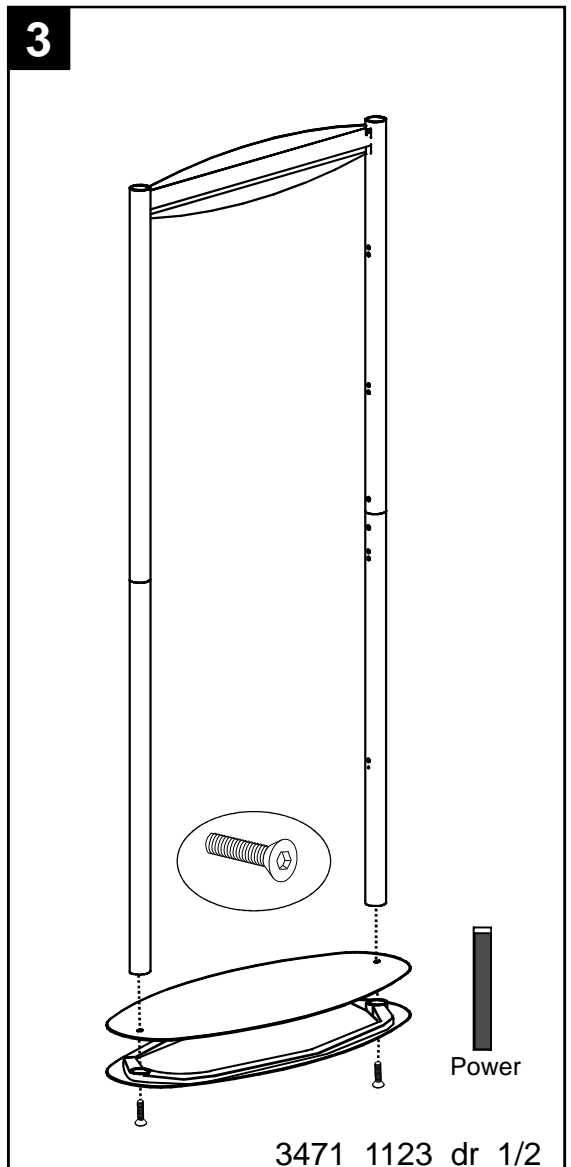
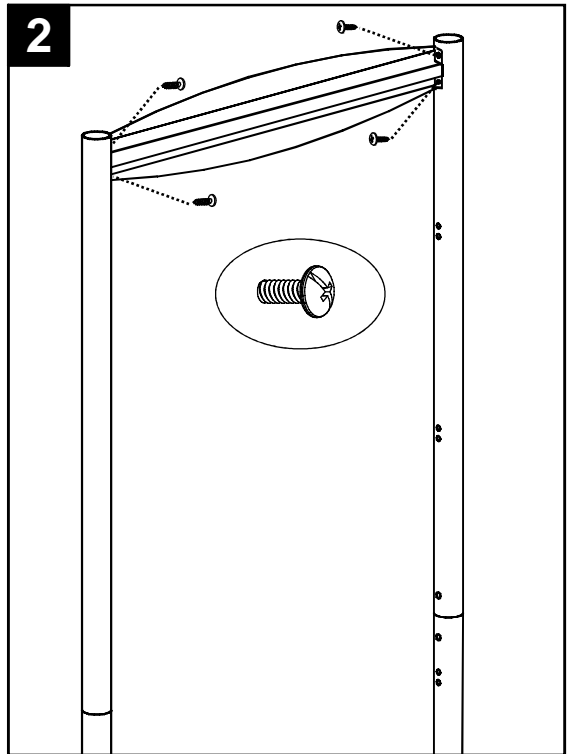
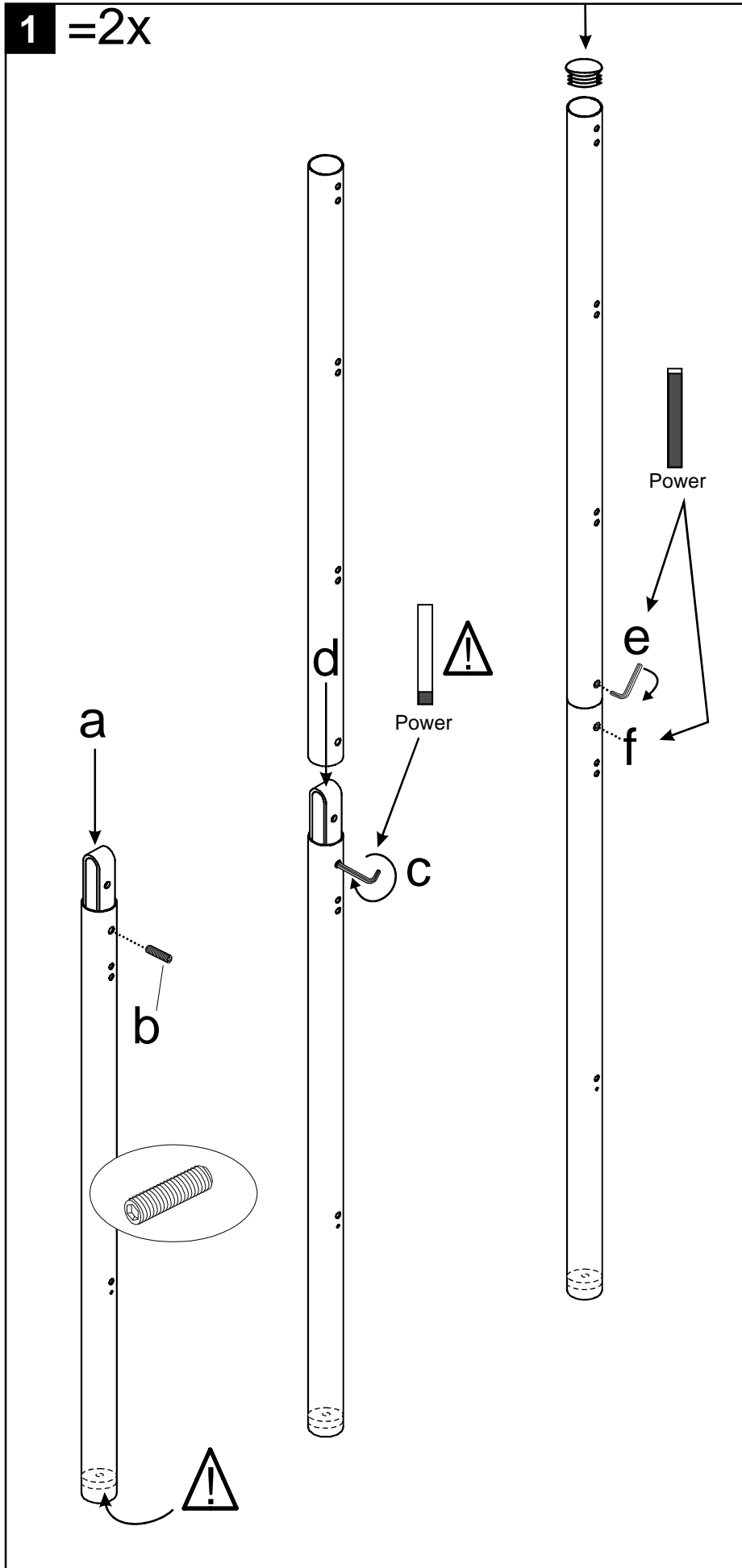
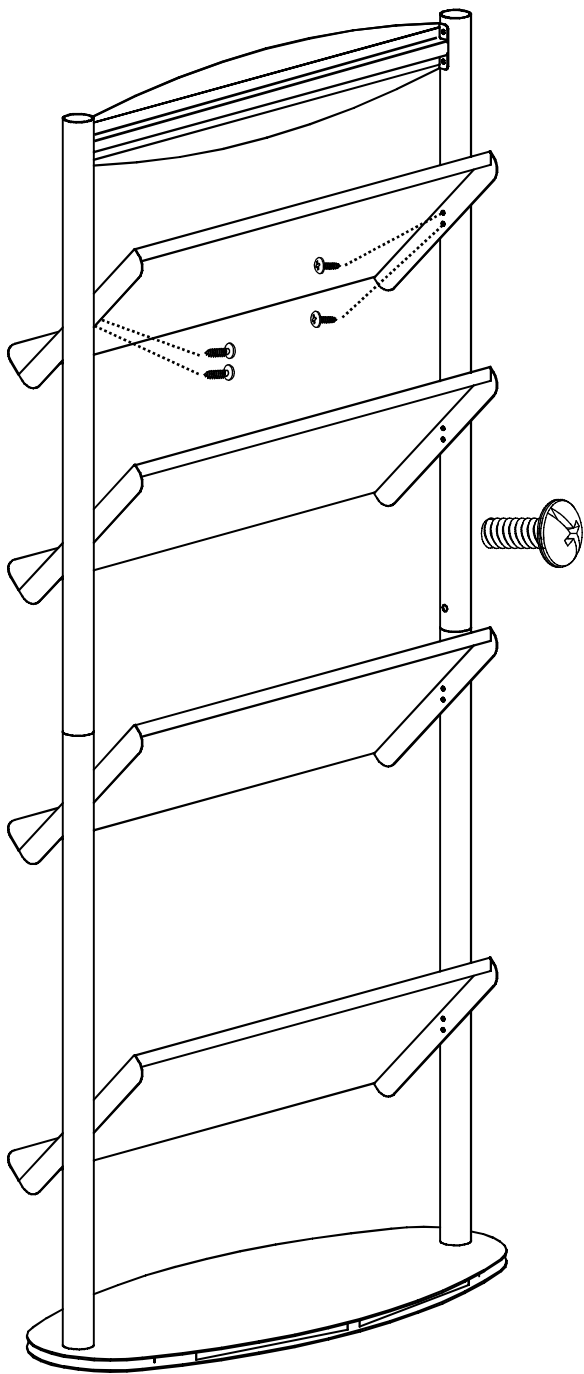


1 =2x



4



5

